

Read all instructions before starting installation.

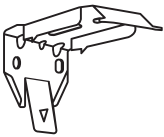


See [installation video](#) for additional support.

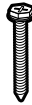


Scan for [Installation Instructions](#) in Spanish

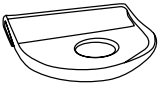
PARTS INCLUDED (Quantity varies by order)



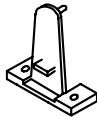
Mounting Bracket(s)



Screws

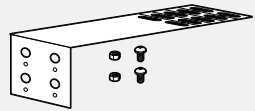


Lift Handle(s)



Hold Down Bracket(s)

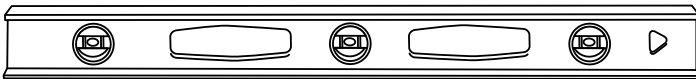
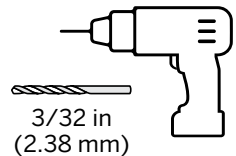
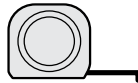
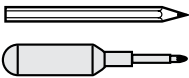
OPTIONAL EXTENSION BRACKET



Extension Bracket Kit
(See Page 5 for Installation Instructions)

NOTE: Extension brackets are optional. They are only included if specifically selected during your order. If your package does not include extension brackets, installation can proceed without them.

TOOLS NEEDED



Use the appropriate fasteners for the type of mounting surface as specified below:

- **Drywall or Plaster:** Use wall anchors or expansion bolts (not provided).
- **Metal:** Use sheet metal screws (not provided).
- **Wood:** Use No. 6 hex head screws (provided).

BRACKET INFORMATION

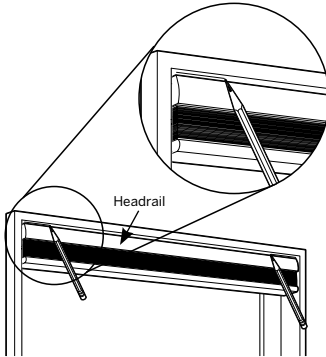
- For the shade to operate correctly, it's important that the brackets are mounted level.
- If needed, use shims to help adjust and align the brackets.
- The number and placement of brackets is the same whether you're installing inside or outside the window frame.

Shade Width	Bracket Quantity
18" to 38"	2
38-1/8" to 72"	3
72-1/8" to 106"	4
106-1/8" to 140"	5
Over 140"	6

1 PLACE SHADE IN DESIRED LOCATION AND MARK FRONT EDGE

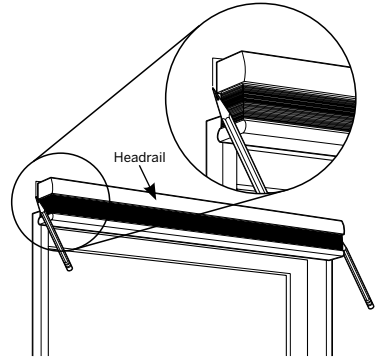
DON'T FORGET: Before marking bracket locations, check clearance depth required to avoid obstructions such as window cranks or handles.

INSIDE MOUNT

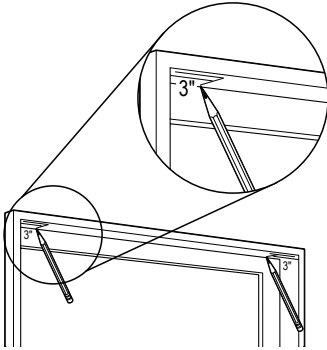
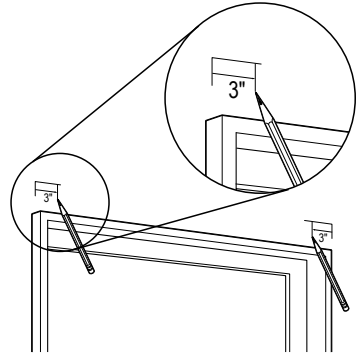
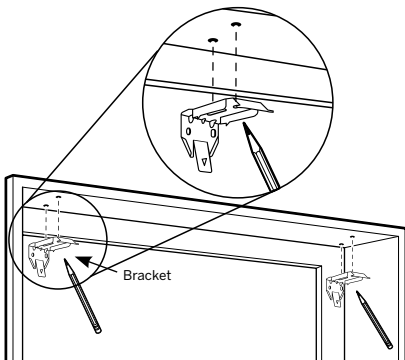
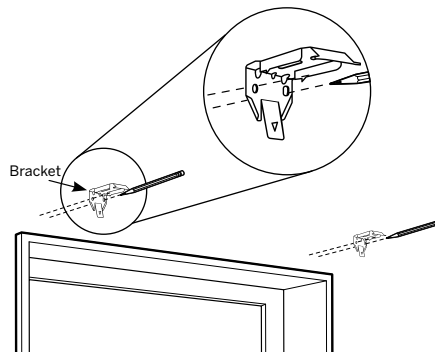


Minimum Depth	Fully Recessed
3/4"	2-1/8"

OUTSIDE MOUNT



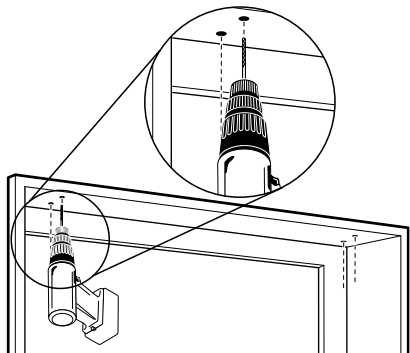
Minimum Height
1-1/2"

2**MEASURE 3" IN FROM SHADE EDGE ON BOTH ENDS AND MARK****INSIDE MOUNT****OUTSIDE MOUNT****3****MARK BRACKET LOCATION, CENTER ANY ADDITIONAL BACKETS IF APPLICABLE.****INSIDE MOUNT****OUTSIDE MOUNT**

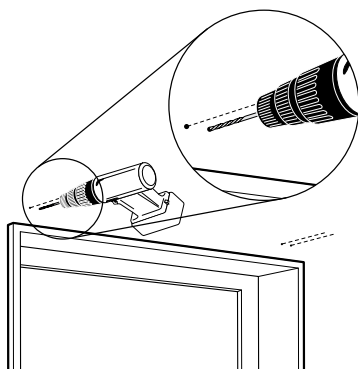
4

PRE-DRILL HOLES USING A 3/32" DRILL BIT

INSIDE MOUNT



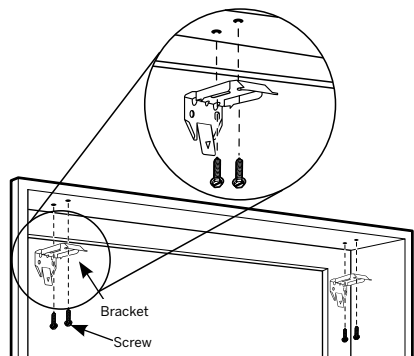
OUTSIDE MOUNT



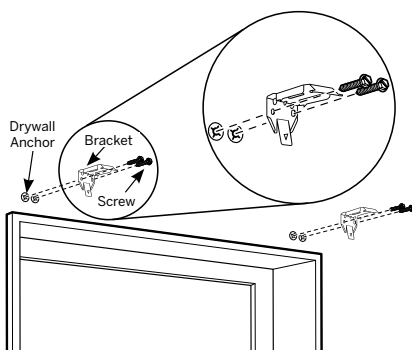
5

INSTALL MOUNTING BRACKETS USING SUPPLIED SCREWS

INSIDE MOUNT



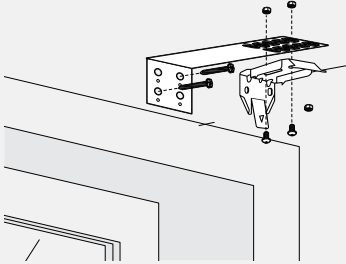
OUTSIDE MOUNT



CAUTION: Use drywall anchors (not provided) when mounting into drywall. Failure to properly anchor shade could cause shade to fall possibly resulting in injury.

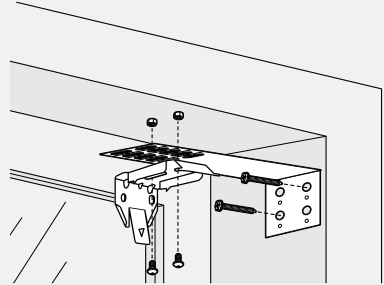
IF YOU ORDERED OPTIONAL EXTENSION BRACKETS

OPTIONAL EXTENSION BRACKET OUTSIDE MOUNT



- Position the extension brackets to the desired wall location and mark the position. Ensure bracket tops are aligned and level to one another.
- Mount the extension brackets through the back holes with two screws.
- Attach installation brackets to extension brackets with included screws & nuts.

OPTIONAL EXTENSION BRACKET SIDE MOUNT



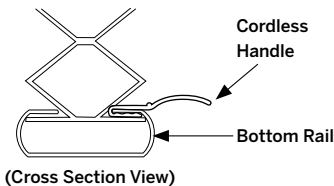
- Measure from window sill up to desired mounting position on each side of the window frame and mark the position.
- Mount extension brackets on each side of window frame. Make sure to confirm that the headrail will sit perfectly level.
- Attach the mounting brackets using the nuts and bolts provided.

IMPORTANT: Use the same holes for all brackets to ensure even projection from the surface.

6 INSTALL THE HANDLE (IF YOUR PRODUCT CAME WITH A HANDLE)

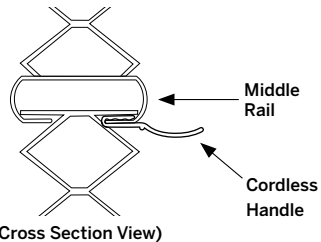
The cellular cordless lift handle should be installed prior to mounting the shade. Install the cordless handle by hooking the lip of the handle over the top of the bottom rail.

BOTTOM RAIL INSTALLATION



- Shades over 42" in width will come with two handles per rail.

TOP/DOWN - BOTTOM/UP MIDDLE RAIL



- The middle rail handle is installed in an inverted position from the bottom rail handle.
- Hook the lip of the handle under the bottom of the middle rail.

7

MOUNT THE SHADE INTO THE BRACKETS

PRIOR TO MOUNTING SHADE

Cordless Lift: attach cordless handle(s) evenly across shade rails prior to mounting.

Motorized: pair shade prior to mounting. Refer to programming guide included with remote or scan below. Pairing takes under 1 minute.

InMotion Wand: Refer to the programming guide included with the wand for operation, or scan below.

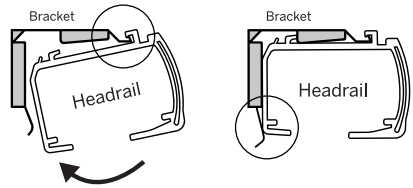


Scan for [Motorization Remote Pairing Guide](#)



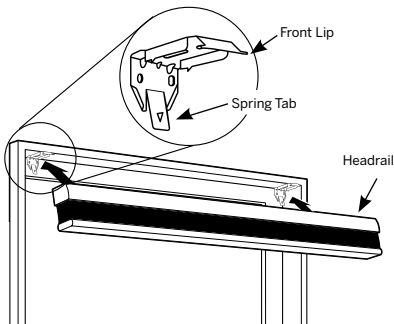
Scan for [InMotion Wand Programming Guide](#)

IMPORTANT: Be sure the front tabs of the bracket are seated in the slot at the front of the headrail.

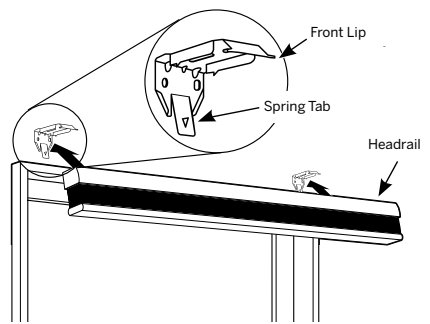


- With the front side of the shade facing you, tilt the headrail slight backward to angle the front of the headrail on the front lip of the brackets.
- Rotate the headrail backwards toward the window until a snapping sound is heard. This will let you know the shade is engaged in the brackets.

INSIDE MOUNT



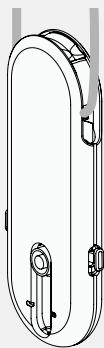
OUTSIDE MOUNT



8

FOR CORD LOOP ONLY

Refer to the installation instructions included with the Universal Cord Tensioner



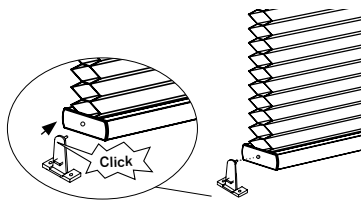
For the shade to operate properly, the tensioner must be correctly mounted and secured.



Scan for [Universal Cord Tensioner Instructions](#)

OPTIONAL – ATTACH THE HOLD-DOWN BRACKETS

- Lower the shade and place the hold down pins into the hole on the bottom rail end caps.
- Mark the hold down bracket locations on the mounting surface.
- Center the hold down brackets over the mounting hold locations and check alignment.
- Finally, attach the brackets using the screws provided.



IMPORTANT: Bottom rail must be disconnected from hold down brackets to raise the shade.

OPERATION

RAISE AND LOWER SHADE

Cordless Lift

Raise and lower the shade by holding the handle in the center portion of the bottom rail to ensure level movement.

Motorized

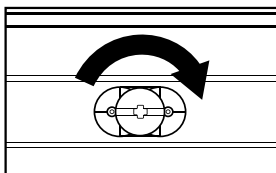
Raise and lower the shade using the wand, remote, app, or voice control.

ADJUST THE SHADE

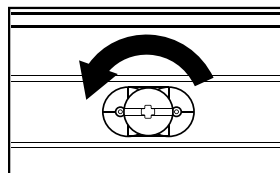
- Raise and lower the shade several times. If the length is incorrect or the bottom rail is not level, use the following steps to correct.
- For Bottomrail Shade Adjustment: Lift bottomrail on the side to be adjusted.
- Using a screwdriver, turn screw clockwise to lift that side of the shade. Turn screw counter clockwise to lower that side of the shade. Half a revolution is 1/4" adjustment (maximum adjustment is 1/2").
- For Intermediate (Middle) Rail adjustment on Day/Night Shades, scan below.



Scan for instructions to adjust the intermediate (middle) rail on Day/Night Shades.



Lift Shade Side



Lower Shade Side

TROUBLESHOOTING

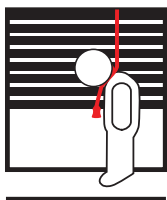
Problem	My shade won't snap into the installation brackets.
Solution	Ensure installation brackets are aligned and level. Shim the brackets if necessary to achieve a level alignment.
Problem	My shade is difficult to raise (or lower), or will not raise (or lower) at all.
Solution	<ul style="list-style-type: none">• Shades cannot be forced into tight inside mount window openings. If an inside mount, check that the shade is installed correctly. Make sure there is clearance between the ends of the shade and the window casement.• Check that the installation brackets are level. Shim to level, if necessary.• If hold-down brackets are used, make sure they have been released.• Make sure the fabric is not caught.
Problem	My shades are uneven when raising or lowering, or the bottom rail is uneven when still.
Solution	<ul style="list-style-type: none">• Check that the installation brackets are level. Shim to level, if necessary.• Check that the window is square by measuring the diagonals.• Adjust the cords under the bottom rail (see "Adjust The Shade").
Problem	When I try to open or close my cord loop shade, the cord feels stuck or hard to pull.
Solution	<ul style="list-style-type: none">• Check that the cord tensioner is mounted properly. Reinstall, if necessary. Refer to the Universal Cord Tensioner Installation Instructions.

IMPORTANT INFORMATION REGARDING CORDLESS SHADE OPERATION

- Daily operation of shade will ensure that it performs at its optimal level.
- If the shade is in the lowered position for an extended period of time, extra care needs to be taken when raising the shade. The fabric will relax and may resist lifting. This is a natural occurrence with all fabric shades. When lifting, you may notice the billowing (falling out) toward you. This is temporary and can be corrected by slowly raising the shade completely and then operating several times. This allows the fabric to go back to its pleated state, and the shade will operate as designed.
- If shade has been in the fully raised position for an extended period of time, it may have a tendency to "spring back" above the desired length of the shade. This is temporary and can be corrected by completely raising the shade and operating several times.
- Operating the shade with the handle(s) provided is recommended so that the shade is balanced when raising and lowering.
- Motorized Shades – see operating instructions guide included with shade/remote control.

CHILD SAFETY

⚠ WARNING ⚠ ADVERTENCIA



Window Blind Cord Strangulation Risk

Window blinds with a damaged or loose tension device or retractable cord that fails to fully retract pose a strangulation risk to children. To avoid this potential strangulation risk, consider purchasing cordless products or products with inaccessible cords.

Riesgo de Estrangulamiento en Cuerdas de Persianas

Las persianas con un dispositivo tensor suelto o dañado o con una cuerda retráctil que no se ajusta completamente representan un riesgo de estrangulación para los niños. Para evitar un posible riesgo de estrangulamiento, considere comprar productos inalámbricos o productos con cuerdas inaccesibles.

